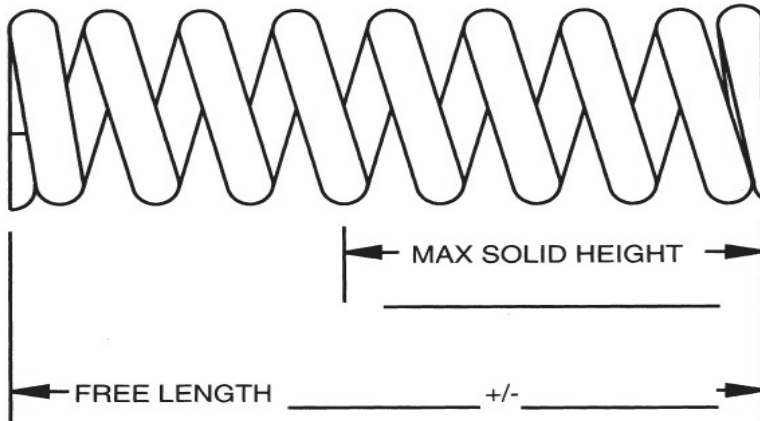
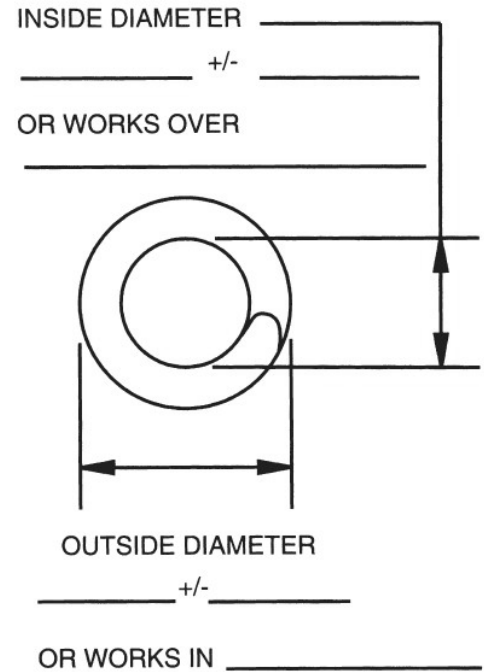
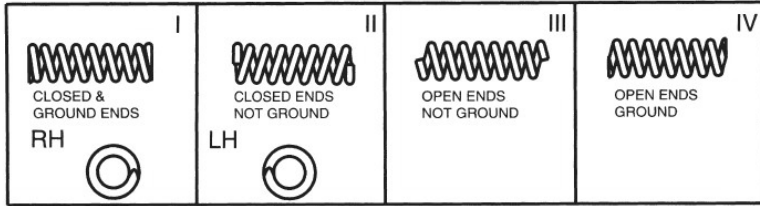


Compression Springs Request a Quote



Outside Diameter:

Inside Diameter:

Wire Diameter:

Free Length:

MATERIAL

- | | | |
|--|--|---|
| <input type="checkbox"/> Spring Steel | <input type="checkbox"/> Inconel X750 | <input type="checkbox"/> Monel K500 |
| <input type="checkbox"/> Music Wire | <input type="checkbox"/> Monel 400 | <input type="checkbox"/> Inconel 600 |
| <input type="checkbox"/> Oil Tempered | <input type="checkbox"/> Stainless Steel | <input type="checkbox"/> Beryllium Copper |
| <input type="checkbox"/> Chrome Silicon | <input type="checkbox"/> Hard Drawn | <input type="checkbox"/> Nichrome V |
| <input type="checkbox"/> Phos. Bronze | <input type="checkbox"/> Chrome Vanadium | <input type="checkbox"/> 304 Stainless |
| <input type="checkbox"/> Stainless A-286 | <input type="checkbox"/> 302 Stainless | <input type="checkbox"/> 17-7 Stainless |

COMPANY NAME: _____

DATE: _____

Compression Springs Request a Quote (cont'd)

Spring Load:

Wind Direction: OPT LH RH

End Type: I II III IV

Rate (#inch): _____ +/- _____

Total Coils:

Finish:

Solid Height:

Quantity Requested:

Additional Information:

COMPANY INFORMATION

Company Name: _____

Address: _____

City: _____

Province/State: _____ PC/Zip: _____

Contact Person: _____

Phone: - -

Fax: - -

Email: _____

Quantities to be Quoted: _____